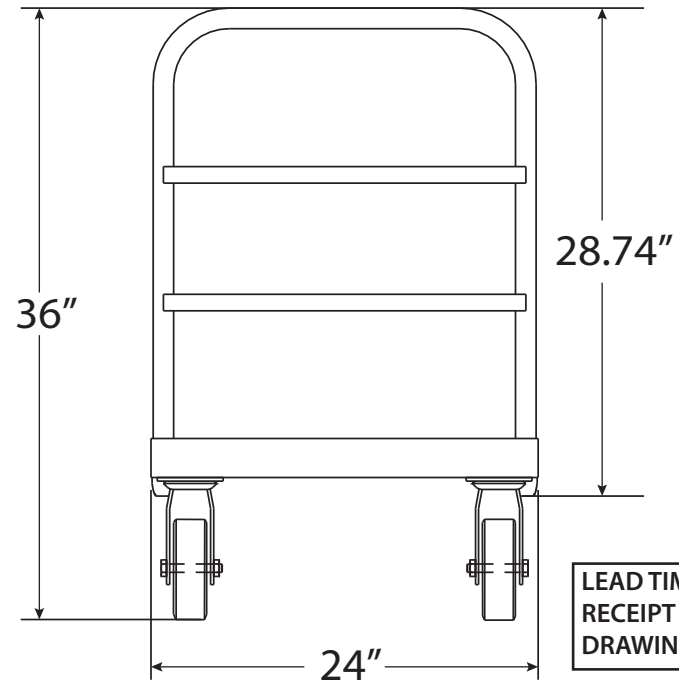
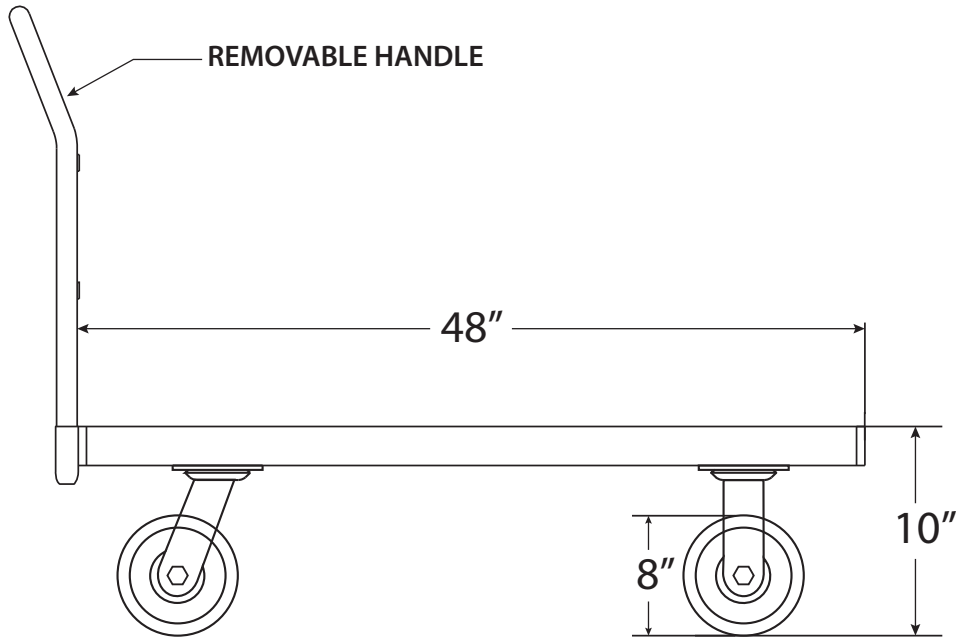


**SPECIAL UNITS ARE NON-RETURNABLE

*AVAILABLE AT ADDITIONAL COSTS

BOONE DIAMOND™

SUPER GRIP PLATFORM CART



LEAD TIME WILL START UPON
RECEIPT OF SIGNED APPROVAL
DRAWING

STANDARD FEATURES

MODEL NUMBER: 5Sec2448-D

CAPACITY: 3,000 LBS

USABLE PLATFORM: 48" x 24"

PLATFORM HEIGHT: 10"

CASTERS: L 8 X 2 MOLD-ON-RUBBER

TWO SWIVEL, TWO RIGID

UNIT IS PAINTED GRAY

CASTERS ARE REMOVABLE

SPECIAL FEATURES NONE

Any additions, deletions or omissions must be corrected on this drawing, as this drawing will be considered all inclusive.

*** ALL GRAPHICS PROVIDED ARE FOR REFERENCE ONLY. IF CERTAIN DIMENSIONS ARE CRITICAL PLEASE VERIFY THOSE DIMENSIONS WITH YOUR SALESPERSON. ***

APPROVAL

I, the undersigned, hereby approve this print

As drawn

As marked

This includes my approval of design & dimensions.

Signed:

Date:

Distributor's Name:		5Seconds™	P.O.#: _
Drawn By: Sr			Date: 7-1-23
Reference:		SALES: _	
		DRWG. / FILE NAME:	
		16-007-295	
		Scale: 1:12	